

Full HD Weatherproof Box type Network Camera

Panasonic

K-EW215L Series K-EW215L01E

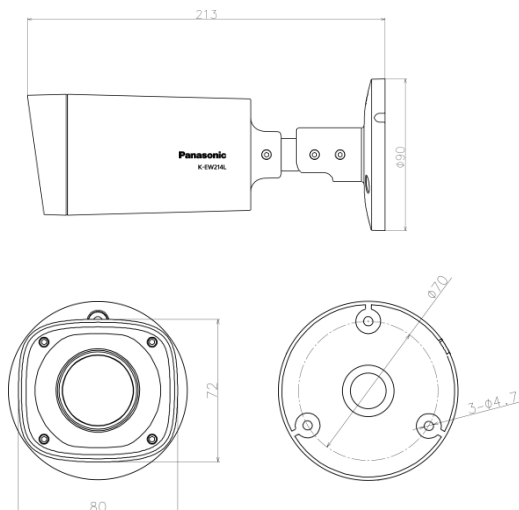
2 Megapixel 1080p Weatherproof Box type Camera Equipped with IR LED



Key Features

- 1/2.8" 2Megapixel progressive scan CMOS
- H.265&H.264 dual-stream encoding
- 30fps@1080P(1920x1080)&30fps@1.3M(1280x960)&30fps@720P(1280x720)
- WDR, Day/Night(ICR), 3DNR,AWB,AGC,BLC
- Multiple network monitoring
- Vari Focal : 2.7 mm – 13.5 mm
- Max. IR LEDs Distance 60m
- PoE
- IP66

Appearance



Specifications

Camera	
Image Sensor	Approx. 1/2.8 type CMOS image sensor
Min Illumination	0.2 lx / F1.4 (color)*, 0 lx / F1.4 (IR on)*1
Gain	Auto/ Manual
Back light compensation	BLC/ HLC/ WDR
Shutter speed	Auto/ Manual, 1/3 sec to 1/100000 sec
Day / Night	Auto(ICR) / Color/ Black & White
IR LED Light	Irradiation distance: 60 m
White Balance	Auto/ Natural/ Street Lamp/ Outdoor/ Manual/ Regional Custom
Digital Noise Reduction	3D DNR ON/ OFF
Privacy masking	Off/ On (4 Zone, Rectangle)
Video Motion Detection	Off/ On (4 Area)
Lens	
Zoom ratio	5x Optical (Motorized zoom/ Motorized focus)
Focal Length	Vari Focal : 2.7 mm – 13.5 mm
Angular Field of View	H: 29°(TELE) to 106° (WIDE) V: 17°(TELE) to 57°(WIDE)
Network	
Network	10BASE-T/ 100BASE-TX, RJ45 connector
Resolution	1080P (1920x1080)/ 1.3M(1280x960)/720P (1280x720)/ D1 (704x480)/VGA (640x480)/CIF (352x240)
Image compression method*2	H.264H/ H.265/ MJPEG
Frame Rate	1 to 30 fps
Protocol	HTTP, TCP, ARP, RTSP, RTP, UDP, RTCP, SMTP, FTP, DHCP, DNS, DDNS, PPPOE, IPv4/v6, QoS, UPnP, NTP
Maximum concurrent access number	20 users (Number of sessions that can connect to cameras at the same time)
Compatible micro SDXC/ SDHC memory card:*3 *4	4 ~ 64 GB
General	
Power source	12 V DC, PoE (IEEE802.3af compliant)
Power Consumption	12 V DC: 1.1 A / Approx. 12.9 W PoE 48 V DC: 270 mA / Approx. 12.9 W (Class 0 device)
Ambient Operating Temperature / Humidity	-30 °C to +60 °C (-22 °F to 140 °F) 10 % to 90 % (no condensation)
Water and Dust Resistance	Main body: IP66
Dimensions	Φ90 mm × 213 mm (D) {ø3-17/32 inches × 8-3/8 inches (D)} (Camera front view: 80 mm (W) × 72 mm (H) {3-5/32 inches (W) × 2-27/32 inches (H)})
Weight (approx.)	Approx. 690 g {1.52 lbs}

*1 [Image Adjust] Shutter: (0-)80 ms, Gain: (0-)100"

*2 Two streams can be transmitted individually

*3 When repeatedly recording images on a micro SD memory card using the auto overwrite function, make sure to use a micro SD memory card with high reliability and durability.

*4 Use the micro SD memory card that complies with UHS-1 (Ultra High Speed-1) in the case of SD

Important

- Safety Precaution: Carefully read the operating instruction manual before using this product.
- Panasonic cannot be responsible for the performance of the network and/or other manufacturers' products used on the network.

- All pictures are simulated.
- Weights and dimensions are approximate.
- Specifications are subject to change without notice.

DISTRIBUTED BY: