

Full HD Weatherproof Box type Network Camera

Panasonic

K-EW215L Series K-EW215L03E

2 Megapixel 1080p Weatherproof Box type Camera Equipped with IR LED

Specifications

Camera	
Image Sensor	Approx. 1/3 type CMOS image sensor
Min Illumination	0.1 lx / F1.2 (color)*, 0 lx / F1.2 (IR on)**1
Gain	Auto/ Manual
Back light compensation	BLC/ HLC/ WDR
Shutter speed	Auto/ Manual, 1/3 sec to 1/100000 sec
Day / Night	Auto(ICR) / Color/ Black & White
IR LED Light	Irradiation distance: 30 m
White Balance	Auto/ Natural/ Street Lamp/ Outdoor/ Manual/ Regional Custom
Digital Noise Reduction	3D DNR ON/ OFF
Privacy masking	Off/ On (4 Zone, Rectangle)
Video Motion Detection	Off/ On (4 Zone)
Lens	
Focal Length	3.6 mm
Angular Field of View	H: 92° V: 50°
Network	
Network	10BASE-T/ 100BASE-TX, RJ45 connector
Resolution	1080P (1920x1080)/ 1.3M(1280x960)/720P (1280x720)/ D1 (704x480)/VGA (640x480)/CIF (352x240)
Image compression method	H.264/ H.264B/ H.264H/ H.265/ MJPEG
Frame Rate	1 to 30 fps
Protocol	HTTP, TCP, ARP, RTSP, RTP, UDP, RTCP, SMTP, FTP, DHCP, DNS, DDNS, PPPOE, IPv4/v6, QoS, UPnP, NTP
Maximum concurrent access number	20 users (Number of sessions that can connect to cameras at the same time)
General	
Power source	12 V DC, PoE (IEEE802.3af compliant)
Power Consumption	12 V DC: 420 mA / Approx. 5.0 W PoE 48 V DC: 110 mA / Approx. 5.0 W (Class 0 device)
Ambient Operating Temperature / Humidity	-30 °C to +60 °C {-22 °F to 140 °F} 10 % to 90 % (no condensation)
Water and Dust Resistance	Main body: IP66
Dimensions	Φ70 mm × 165 mm (D) {ø2-3/4 inches × 6-1/2 inches (D)}
Weight (approx.)	Approx. 380 g {0.84 lbs}

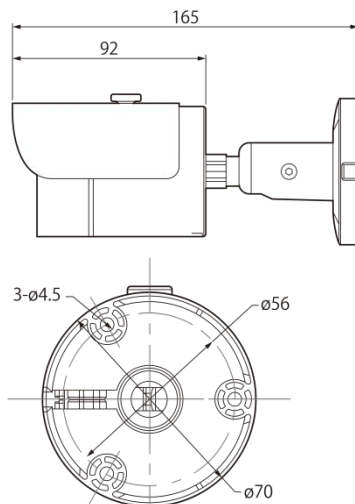
*1 [Image Adjust] Shutter: (0-)80 ms, Gain: (0-)100"



Key Features

- 1/3" 2Megapixel progressive scan CMOS
- H.265&H.264&MJPEG dual-stream encoding
- 30fps@1080P(1920x1080)&30fps@1.3M(1280x960)&30fps@720P(1280x720)
- WDR, Day/Night(ICR), 3DNR,AWB,AGC,BLC
- Multiple network monitoring
- 3.6mm fixed lens
- Max. IR LEDs Distance 30m
- PoE
- IP66

Appearance



Important

- Safety Precaution: Carefully read the operating instruction manual before using this product.
- Panasonic cannot be responsible for the performance of the network and/or other manufacturers' products used on the network.

- All pictures are simulated.
- Weights and dimensions are approximate.
- Specifications are subject to change without notice.

DISTRIBUTED BY: